

**Overview**

Attractive & easy to manoeuvre, providing space for everything required for tea & coffee service. Also ideal for cakes, snacks, soup & sandwiches (when supplied with optional chilled enclosed cake display shelves or Soup Kettle. Perfect for Aged Care Facilities and hospitals. Lightweight and robust, the trolley is supplied with a gallery rail on three sides incorporating a rear stand holding six cutlery dispensers and three 1/9 GN size plastic containers for tea bags, p.c sugar etc. The top has an inset at the rear with a 1/3 GN size poly container for dishcloths. Underneath there is one 1/2 GN size poly container 100mm deep, on runners for cakes etc. in the top pan position, and three 1/1 GN size poly containers 100mm deep on runners for cups, and saucers etc. Positioned on the base there is a 1/2 GN size poly container 65mm deep for cleaning spray, sponge, or cloth. On the operators left hand side there are four sets of runners to suit 500mm x 500mm dishwasher baskets (not supplied).



- Easy to keep clean
- Light and easy to manoeuvre
- Corner bumper protection
- Solid stainless steel top set at 900mm from floor level
- Robust and ergonomic galley rail on three sides
- Discreet pan for cleaning cloth / spray
- Push pull handles with all swivel castors two with brakes
- Holds up to four dish wash baskets [500mm sq type]
- Provides an attractive & efficient solution for a mobile hot beverage service

**Options:**

- Dish wash type baskets [500mm x 500mm]
- Wide choice of colours for the front & side panels
- Insulated Hot Water & Beverage Dispensers
- Removable Drip Tray
- Double-shelf cake display with chilled shelves
- Rubber Barmat
- Silicon Mat

**VBT**

Shown with optional beverage dispensers, cup and Dishwash baskets

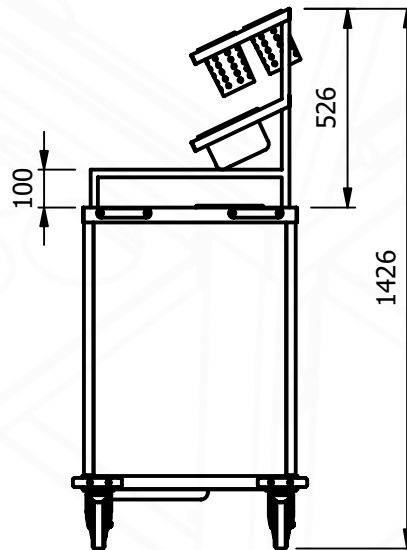
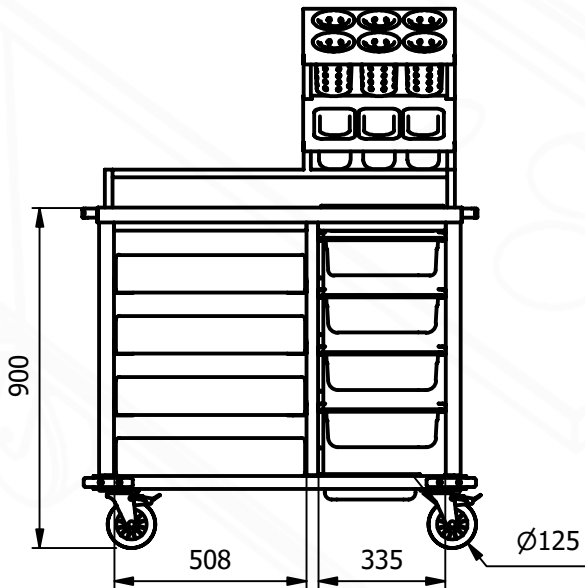
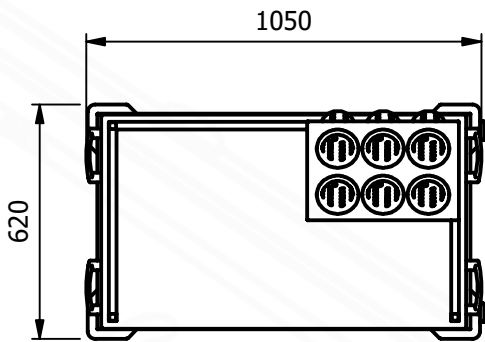


**Model VBT**

Length (mm)	Depth (mm)	Height (mm)	Weight (mm)
1050	620	1426	50



**VBT**  
Shown with optional beverage dispensers and Dishwash baskets



MADE IN BRITAIN

**Versigen Australia Pty Ltd.**  
1/182 Hartley Road,  
Smeaton Grange NSW 2567

**Versigen**

[www.versigen.com.au](http://www.versigen.com.au)  
+61 1300 653 330  
[sales@versigen.com.au](mailto:sales@versigen.com.au)